

ASCO™ Pulse Valves

Dual stage, integral pilot, threaded body 1 1/2" to 3" or compression fitting Ø 1 1/2"

Series
353

Features

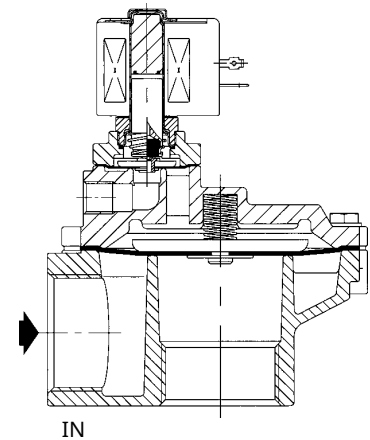
- The diaphragm pulse valves are especially designed for dust collector service applications, combining high flow, long life and extremely fast opening and closing to produce reliable and economical operation
- Integral compression fittings for fast, easy, secure installation
- The high quality diaphragms are reinforced and wear resistant to guarantee a long operating life, even under harsh conditions
- Various optional waterproof and explosionproof solenoids for use in potentially explosive atmospheres
- The valves satisfy all relevant EC directives



General Valve Information

Differential pressure (PS)	0.35 - 8.5 bar [1 bar = 100kPa]
Ambient temperature range	-20~ +85°C
With FPM option, temperature range	-20~ +85°C

Fluids(*)	Temperature Range(TS)	Diaphragm(*)
Air	-20 to 85°C	Chloroprene(default for 1.5" ~ 2.5")
	-40 to 85°C	Hytrel (tpl 17808 for 1.5"~ 2.5")
	-40 to 85°C	Neoprene (default for 3")



Materials in Contact with Fluid

(*) Ensure that the compatibility of the fluids in contact with the materials is verified

Body	Aluminium	AISI316
Core tube	Stainless steel	Stainless steel
Core and plugnut	Stainless steel	Stainless steel
Core spring	Stainless steel	Stainless steel
Sealings & disc	NBR	NBR
Diaphragm	Chloroprene	Chloroprene
Shading coil	Copper	Copper
Coil insulation class	F	F
Connector	Spade plug (cable Ø 6 - 10 mm)	Spade plug (cable Ø 6 - 10 mm)
Connector specification	ISO4400	ISO4400
Electrical safety	IEC335	IEC335

Electrical Characteristics

Standard voltages	DC (=): 24V
(Other voltages and 60 Hz on request)	AC (-): 24V/50; 110V/50, 120V/60; 220V/50, 240V/60

	Port Size	Coil Code	Coil Type	Nominal Power Ratings			Protection	
				Inrush	Holding			Hot/Cold
				(VA)	(VA)	(W)		(W)
SC	1.5"~3"	238613-059	MXX FT	50	25	10.1	IP65	
	1.5"	238713-006	MXX FT			11.6		
	2"~3"	238613-059	MXX FB			22.6		

ASCO™ Pulse Valves

Dual stage, integral pilot, threaded body 1 1/2" to 3" or compression fitting Ø 1 1/2"

Series
353

Specifications

Pipe Size (in)	Oriface Size (mm)	Revision	Flow Coefficient Kv		Operating Pressure Differential(Bar)		Prefix Optional Solenoids			Catalog Number		FPM	
			(m ³ /h)	(l/min)	Min.	Max.(PS)		SC	NF/WSNF	EF/VCEF	Aluminum		Stainless
						~	=						
Threaded pipe connection													
1 1/2"	52	A	44	733	0.35	8.5		•		♣353A047	-	V	
2"	66		77	1290						♣353A050			
2 1/2"	66		92	1540	G353A051								
3"	76		170	2833	G353.060								
1 1/2"	52	D	44	733	0.35	8.5		•			G353D134	V	
2"	66		77	1290							G353D135		
2 1/2"	66		92	1540							G353D136		
1 1/2"	52	G	44	768	0.35	8.5	•	•		G353G047	-	V	
1 1/2"	52		44	768						-	G353G134		
2"	66		77	1290						G353G050	-		
2"	66		77	1290						-	G353G135		
2 1/2"	66		92	1540						G353G051	-		
2 1/2"	66		92	1540						-	G353G136		
3"	75		170	2833						1	6		G353G060
Ø - Compression fitting pipe connection													
1 1/2"	52	A	44	733	0.35	8.5		•		G353A065	-	V	
1 1/2"	52	G	43	717						•			•

tpl:17808 is available for low temperature application (-40°C) range from 1.5" to 2.5"

♣ Stands for options "8" for NPT port thread and "G" for BSP port thread

Options

- Waterproof enclosure with embedded screw terminal coil according to protection class IP67, CEE 10
- Explosionproof solenoids for hazardous locations according to ATEX and national standards
- Hose connection executions (3" only)
- Compliance with "UL" standards
- Plug with visual indication and/or peak voltage suppression
- Electronic timer
- Valves can also be supplied with FPM (fluoroelastomer) diaphragms and seals. Use the appropriate optional suffix letter for identification



Installation

- The valves can be mounted in any position without affecting operation
- Threaded pipe connection is G (ISO 228/1) or compression fitting
- For compression fitting types tightness is achieved by the compressed gasket on the blow tube
- The use of the rubber gaskets as sealing members will allow a slight misalignment in piping when using compression fittings
- Other pipe threads are available on request
- Installation/maintenance instructions are included with each valve
- Spare parts kits and replacement coils are available

ASCO™ Pulse Valves

Dual stage, integral pilot, threaded body 1 1/2" to 3" or compression fitting Ø 1 1/2"

Series
353

Spare Parts Kit

Part Number	Kit No.
SCG353G047	C140741
SCG353G065	
SCG353G134	C140749
SCG353G050	C140742
SCG353G051	
SCG353G135	559708001
SCG353G136	

Dimensions: mm Weight: kg

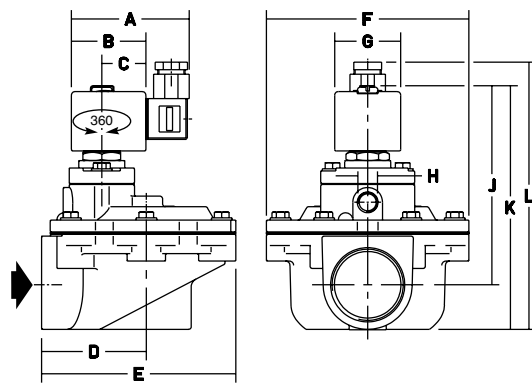


Fig. 1: Threaded pipe connection - aluminum & stainless steel

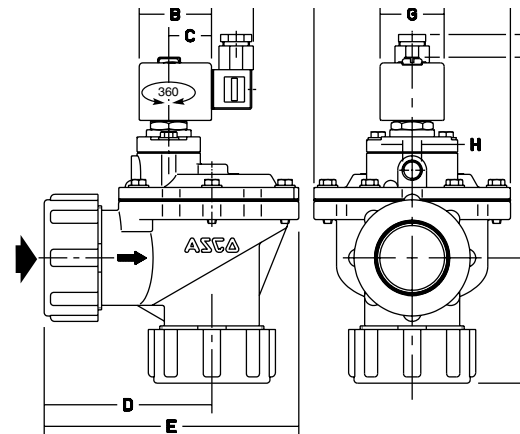


Fig. 2: Compression type fitting - aluminum

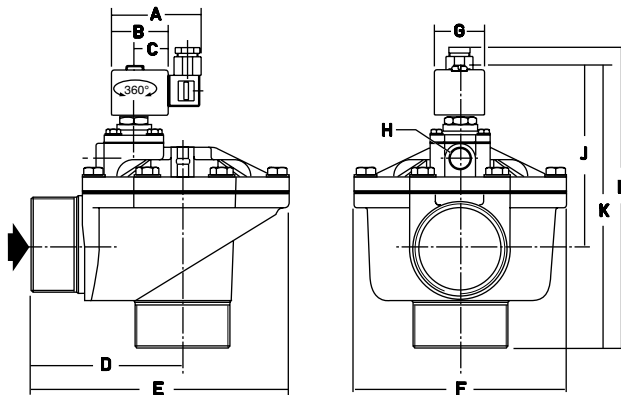


Fig. 3: External threaded type - aluminum

Catalog Number	A	B	C	D	E	F	G	H	J	K	L	T _{Min} ⁽²⁾	Weight ⁽¹⁾	⁽³⁾
SCG353G047	94	57	31	71	130	136	49.6	G 3/8	131	161	174	22	1.40	Fig.1
SCG353G050	94	57	31	95	168	165	49.6	G 3/4	165	210	222	26	2.90	Fig.1
SCG353G051	94	57	31	95	168	165	49.6	G 3/4	165	210	222	31	2.60	Fig.1
SCG353G060	94	57	31	143	240	192	49.6	G 1/2	165	258	271	-	4.10	Fig.3
SCG353G065	94	57	31	117	177	136	49.6	G 3/8	131	225	238	40.3	1.75	Fig.2
SCG353D134	94	57	31	71	130	136	49.6	G 3/8	131	161	174	22	2.9	Fig.1
SCG353D135	94	57	31	95	168	165	49.6	G 3/4	165	210	222	26	6.5	Fig.1
SCG353D136	94	57	31	95	168	165	49.6	G 3/4	165	210	222	31	5.5	Fig.1

⁽¹⁾Incl. coil and connector ⁽²⁾Thread depth or compression fitting depth ⁽³⁾Construction type